

1.0 INTRODUCTION 1

 1.1 Code Compliance..... 1

 1.1.1 Direct Vent/Sealed Combustion System 1

 1.1.2 Fresh Air System..... 1

 1.2 Basic Inlet/Vent Configurations 1

 1.3 Purpose and Scope of this Manual 2

2.0 SAFETY 2

3.0 INSTALLATION..... 3

 3.1 Components Provided..... 3

 3.2 Combustion Air Inlet System 3

 3.2.1 System Design - Pressure Drop 3

 3.2.2 Inlet Duct..... 3

 3.2.3 Air Inlet Termination 3

 3.2.4 Inlet Duct Assembly at the Boiler... 4

 3.2.5 Inlet Damper and Auxiliary Control Panel (optional) 5

 3.3 Exhaust Venting System 5

 3.3.1 System Design - Materials, Length, Size, and Construction 5

 3.3.2 Flue Gas Outlet Duct..... 5

 3.3.3 Exhaust Vent Connection at the Boiler 6

 3.3.4 Flue Gas Termination..... 6

 3.4.5 Equivalent Length of Fittings 7

 3.4 Clearances..... 7

 3.4.1 Sidewall Installations 7

 3.4.2 Rooftop Installations..... 8

 3.4.3 Minimum Clearance for Boiler Connections 8

4.0 OPERATION 9

 4.1 Sequence of Operation 9

 4.2 Combustion Operating Conditions..... 9

 4.2.1 Combustion Air Requirement, SCFM..... 10

5.0 MAINTENANCE 10

6.0 WIRING DIAGRAMS..... 11

 6.1 On-Off Series 700, 1000, 1200..... 11

 6.1a On-Off IRI Series 700, 1000, 1200 . 13

 6.1b Lo-Hi Lo 15

6.1c Lo-Hi-Lo IRI 17

6.1d On-Off Series 1500, 1700, 2000 19

6.1e On-Off IRI Series 1500, 1700, 2000 21

6.2 Auxiliary Control Panel..... 23

 6.2.1 On-Off Auxiliary Control Panel 23



WARNING!

It is **essential** to read, understand, and follow the recommendations of this manual before installing, operating, or servicing this equipment. Failure to do so could result in fire or explosion and serious injury, death, and/or property damage.

The same features which permit this boiler to achieve high-efficiency performance make it unlike most other boilers of this general size, so it is important to understand how this boiler operates. Do not store or use gasoline or other flammable vapors or liquids in the vicinity of this or any other appliance.

WARNING!

Installation and service must be performed by a qualified installer, service agency, or gas supplier.

What to do if you smell gas:

- Do not try to light any appliance.
- Do not touch any electrical switch.
- Do not use any phone in your building. Immediately call your gas supplier from a neighbor's phone. Follow the gas supplier's instructions.
- If you cannot reach your gas supplier call the fire department.

1.0 INTRODUCTION

Direct vent (ANSI Z21.13) is a closed system method of ducting the combustion air directly from the outside of the building into the inlet compartment of the burner, and a sealed exhaust vent from the combustion chamber to the outdoors.

The direct vent/sealed combustion option is available on the Thermific® boilers on Series 700, 1000, 1200, 1500, 1700, and 2000.

Advantages are:

- Savings in energy costs due to the elimination of using conditioned air (heated and/or cooled building air) from going back up the stack.
- Isolation of the burner from pressure changes in the building which can cause erratic combustion performance.
- Combustion air is taken from the outside which is generally more clean than indoor air. Halide contaminants within a building, such as chlorides, can cause excessive corrosion in the burner, heat exchanger and venting system.
- Eliminates the need for two large combustion air/ventilation air openings into the mechanical space.

1.1 CODE COMPLIANCE

1.1.1 Direct Vent/Sealed Combustion System (complying with ANSI Z21.13)

All flue gas outlet (exhaust vent) material must comply with UL-1738. (Standard B-vent **is not** approved.) Proper vent sizing by the vent manufacturer's recommendation must be followed. The exhaust vent may be run horizontally or vertically. The maximum allowable length of the exhaust vent for horizontal installations, including the boot tee/135° (not a standard tee) and the termination is **100 equivalent feet**. Refer to Section 3.4.5 for equivalent lengths.

1.1.2 Fresh Air System

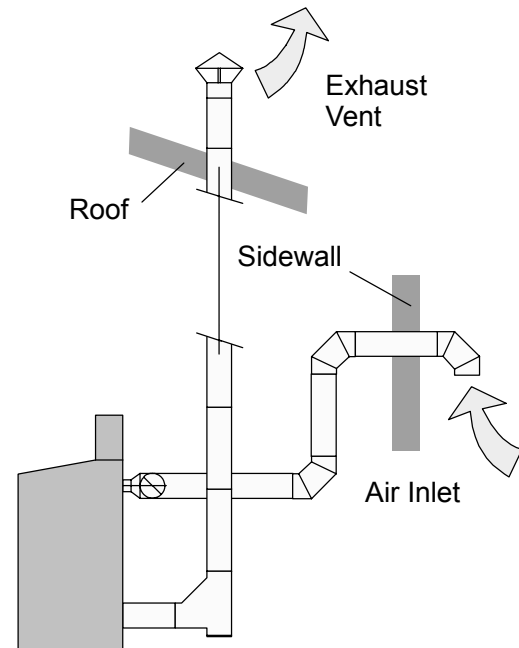
(ducted combustion air system)

In some instances compliance with ANSI Z21.13 **may** not be required, in which case a "fresh air system" may be used. Consultation with qualified professionals is required to determine whether a "fresh air system" is suitable for any particular application and in compliance with all applicable codes and regulations.

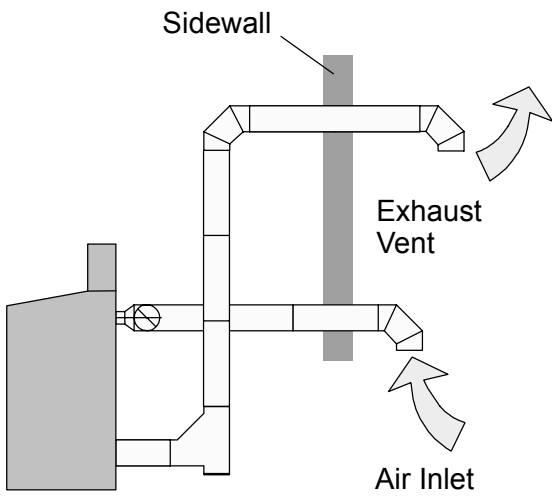
All flue gas outlet (exhaust vent) material for a fresh air system must be certified for use with a Category I Appliance. (Standard B-vent **is** approved.) The exhaust vent may be run horizontally or vertically. Proper vent sizing by the vent manufacturer's recommendation must be followed.

1.2 BASIC INLET/VENT CONFIGURATIONS

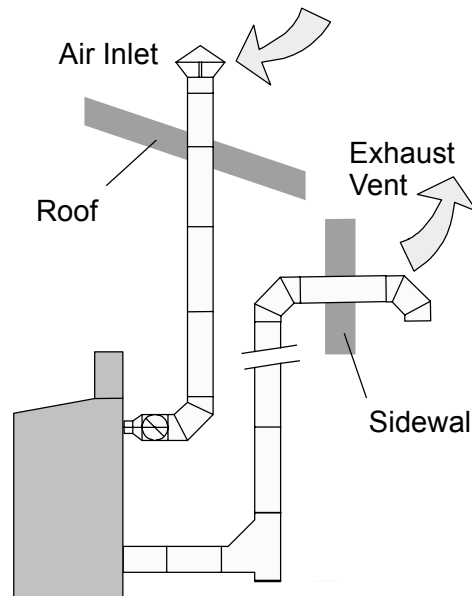
Four basic configurations are allowable for the combustion air inlet and flue gas exhaust vent, as follows; installation details are provided in Section 3.



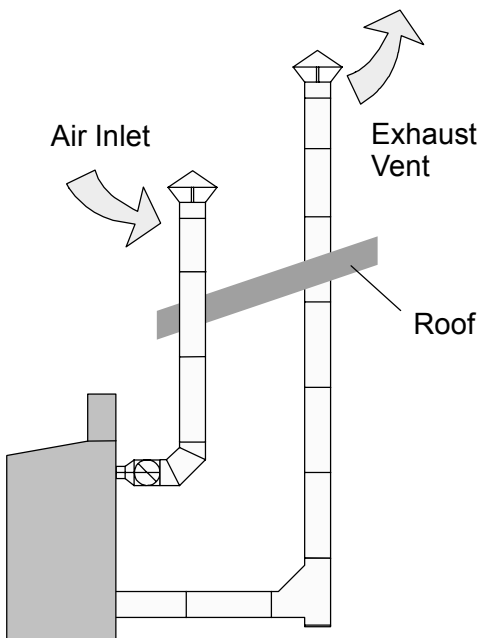
1. Combustion air inlet duct through the sidewall and the flue gas exhaust through the roof. This is the preferred method.



- 2. Both the combustion air inlet and flue gas exhaust through the sidewall.



- 4. The combustion air inlet from the roof and the flue gas exhaust through the sidewall.



- 3. The combustion air inlet from the roof and the flue gas exhaust through the roof.

1.3 PURPOSE AND SCOPE OF THIS MANUAL

This manual is a supplement and companion to the Thermiflame Installation and Owner's Manual. "TBIG." Both documents must be used together.

This companion document describes those safety, installation, adjustment, and maintenance procedures which differ from the standard model. Information that applies to both models is found in the "TBIG" latest edition.

2.0 SAFETY

Refer to the manual for the standard Thermiflame® Gas-Fired Boiler for safety information applicable to this equipment. Safety information applicable only to the direct vent option appears below.

Danger!

Acceptable Venting Methods:

The only acceptable venting methods are the four configurations shown in Section 1.2. Do not attempt to use any other method of obtaining combustion air or venting flue gases.



Do not manifold two (2) or more units into a common sidewall vent system without provisions for additional forced draft.

3.0 INSTALLATION

3.1 COMPONENTS PROVIDED

The direct vent/sealed combustion option is shipped with the following items shipped loose for field installation:

- Custom 6 inch diameter to 12 inch diameter transition duct with extension, for attachment to the combustion air inlet on the boiler.
- A 12" inlet damper assembly with actuator and limit switch mounted to the damper shaft.
- Auxiliary Control Panel to operate the inlet damper assembly.

The inlet damper assembly and control panel will prevent the flow of cold air through the boiler during the off cycle and prevent freeze up and "off cycle" losses. The use of these two items is optional.

3.2 COMBUSTION AIR INLET SYSTEM

Note:

3.2.1 System Design - Pressure Drop

The air inlet duct system shall be designed for a maximum pressure drop of 0.05" W.C. taking into account the equivalent length of all fittings. Refer to Section 3.4.5 for equivalent length of fittings.

3.2.2 Inlet Duct

Materials shall be single wall galvanized duct (minimum thickness 26 gauge) or PVC duct tubing (0.187 inch wall thickness) only. **No substitutions.**

3.2.2.1 Single Wall Galvanized Duct

Proper sealing of the tubing is necessary to prevent flow of combustion air from conditioned space. If single wall galvanized tubing is used, GE RTV 102

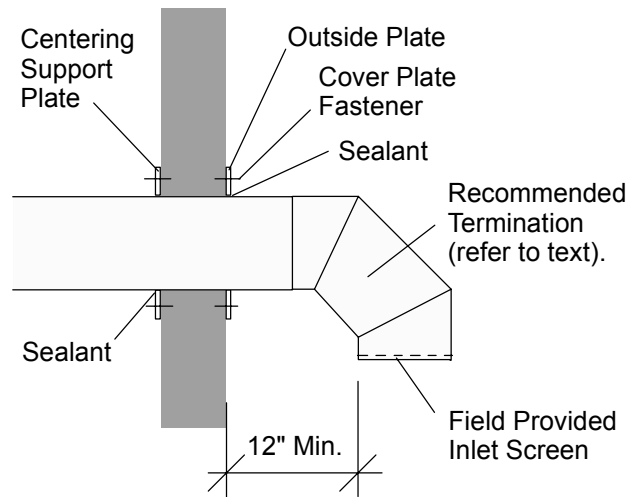
silicone sealant, or equivalent, must be used on each circumferential and horizontal joint before joining together. At least 24 hours must be allowed for cure of this sealant and proper bond. Cure time can be reduced through the application of heat (See instructions provided with the sealant). After the cure period, each joint must be wrapped with an aluminum tape which is faced on the contact side with an adhesive.

3.2.2.2 PVC Duct

Proper sealing of the tubing is necessary to prevent flow of combustion air from conditioned space.

The installation must follow the vent manufacturer's instructions in all respects including proper joining and sealing of the tubing and fittings. Clearances to combustible materials and installation of firestops must conform to applicable codes.

3.2.3 Air Inlet Termination



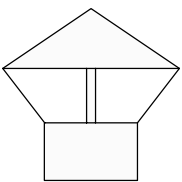
The boiler combustion air inlet duct must be fitted with a termination device meeting the requirements of ANSI Z21.13. There are four recommended sidewall terminations:

- Double wall B vent 90 degree elbow, or
- Two double wall B vent 45 degree elbows, or
- Schedule 40 PVC 90 degree elbow, or
- Properly engineered intake louver screen.

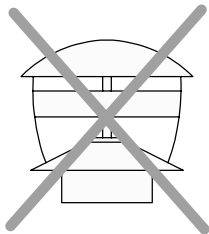
Whichever material is used, the termination must point down and must be backed by a metal plate secured to the wall.

Important: The chosen inlet termination must be included in the calculation of the maximum allowable equivalent length. See Section 3.4.5 for equivalent lengths.

Correct rain cap, unrestricted.

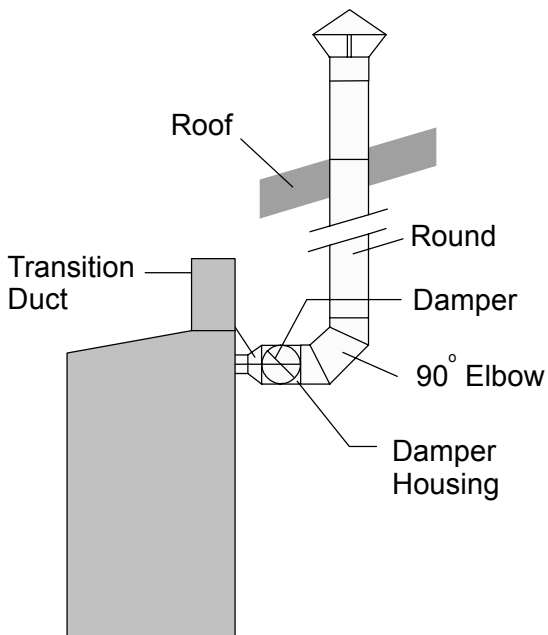


Typical incorrect rain cap.

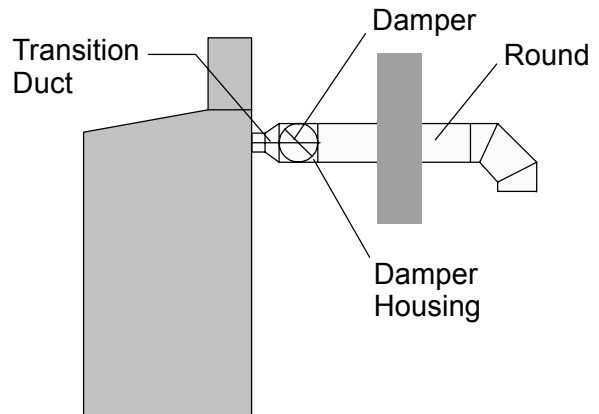


If the combustion air inlet duct is routed through the roof, the termination must be either the same type as described for a sidewall installation or a rain cap. The rain cap must be unrestrictive type similar to the illustration below.

3.2.4 Inlet Duct Assembly at the Boiler



(Roof installation shown.)



(Sidewall installation shown.)

The boiler is equipped with a special collar attached to the air inlet opening on the back of the unit (at the blower housing on Series 700, 1000, and 1200; at the back of the cabinet on Series 1500, 1700 and 2000.). A separate box of accessories is sent with the boiler.

1. Attach the 6 inch diameter end of the custom transition duct and the extension to the collar using a minimum of 4 sheet metal screws spaced approximately at 90 degree intervals. This joint must then be wrapped with an aluminum tape backed on the contact side with an adhesive. Do not use "duct tape."

Important: do not insulate the transition duct or extension.

Refer to Section 3.2 for instructions for installing and wiring the auxiliary control panel; it is required if the optional inlet damper is used.

3.2.4.1 Sealing PVC Duct Tubing to the Inlet Duct

Apply a 3/4" wide x 1/8" thick gasket to the outside surface edge of the entire circumference of the transition duct (or extension). A closed cell foam rubber gasket with pressure sensitive adhesive works very well. Insert 3/4" of the transition duct into the PVC duct tubing so that the gasket lines up with the edge of the PVC tubing. Lay an approximate 3/8" wide bead of GE RTV-102 silicone sealant, or equivalent, along the gap between the gasket and inside wall of the tubing. Allow the silicone sealant to cure for 24 hours. The cure time can be shortened



with the application of heat. Refer to the manufacturer's instructions. Wrap the joint with aluminum tape which is backed with an adhesive on the contact side.

3.2.5 Inlet Damper and Auxiliary Control Panel (optional)

Note:

The inlet damper assembly and control panel will prevent the flow of cold air through the boiler during the off cycle and prevent freeze up. These two items are **optional** in all installations.

Refer to Section 4.1 for a description of the control sequence applicable to the inlet damper.

The damper must be field installed into a section of horizontal or vertical inlet ductwork. Orient the damper such that the arrow points towards the boiler.

3.2.5.1 Field Wiring to Auxiliary Control Panel

The auxiliary control panel controls the inlet damper (if used). The auxiliary control panel does not have to be mounted on or near the boiler; it can be remotely mounted.

Use 16GA MTW Wire for all field wiring. See Section 6 for the logic and wiring diagrams of this auxiliary control panel and the sealed combustion boilers.

There are five (5) field run wires between the boiler and its auxiliary control panel; three (3) for main power supply and two (2) wires for boiler interconnect.

1. The main power supply (G/H/N) must come from the same boiler that the damper is connected to.
2. Remove the blue jumper wire in the terminal block on the boiler when wiring.

There are also five (5) field run wires between the auxiliary control panel and the inlet damper assembly; three (3) to the damper actuator and two (2) to the limit switch.

1. Terminals for the damper actuator:

DO = Damper Open (CW)

DC = Damper Closed (CCW)

DN = Neutral/Common

2. Terminals for the limit (end) switch

SI = N.O. (Normally Open)

S2 = Common

3.3 EXHAUST VENTING SYSTEM

3.3.1 System Design - Materials, Length, Size, and Construction

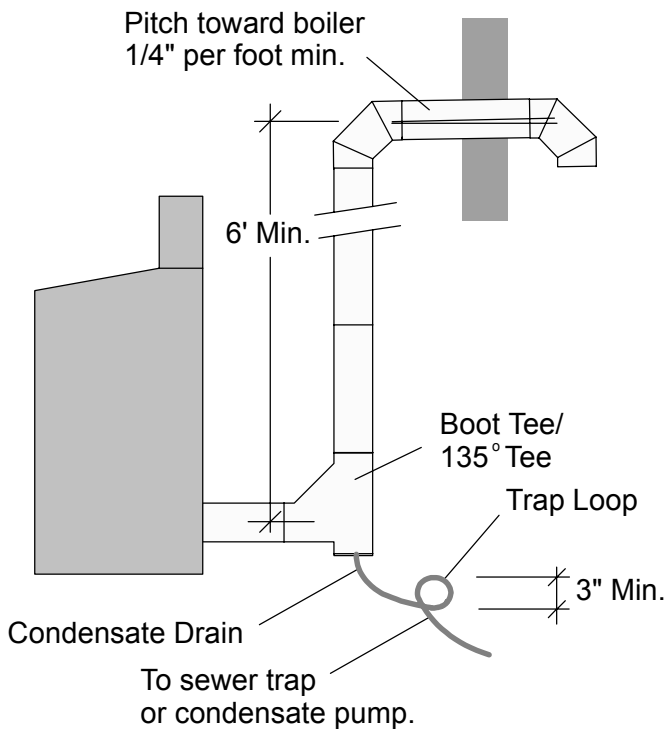
The flue gas outlet (exhaust vent) must be designed to comply with UL 1738 and ULC-636. (Refer to Section 1.1.2 for situations where alternate compliance may be permitted.) The exhaust vent can be run horizontally or vertically.

The vent must be sized according to the vent manufacturer's recommendations. Consult the vent supplier for correct sizing and structural support requirements. Vent diameter is dictated by the length and height of horizontal and vertical portions of the vent installation and materials of construction. Design calculations should be based on a negative 0.03 W.C. with a stack temperature of 325° F (gross) and a CO₂ level of 7.6%; (these values are to be used for vent sizing calculations.) The **maximum** allowable length of the vent duct, including the boot tee/135° tee (not a standard tee) and the termination is 100 equivalent feet. See Section 3.4.5 for the equivalent length of the fittings.

3.3.2 Flue Gas Outlet Duct

The installation must follow the vent manufacturer's instructions in all respects including proper joining and sealing of the tubing and fittings, clearances to combustible materials and installation of firestops.

3.3.3 Exhaust Vent Connection at the Boiler



At the outlet of the boiler, an adjustable or fixed length (minimum 2 feet for clearance from inlet duct; maximum 3 feet for proper lift) section may be utilized. This section must be secured to the outlet collar by a minimum of 4 sheet metal screws spaced at approximately 90 degree intervals.

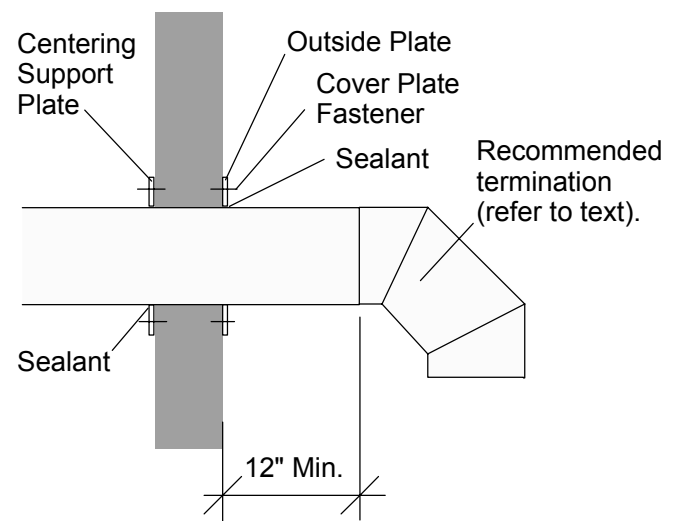
Even though the unit is classified as a Category I boiler (Non-pressurized-non condensing), there are certain abnormal conditions which may cause condensation in the flue vent. Therefore, it is recommended that a tee cover with a drain be provided at the bottom of the boot tee/135° tee. For proper disposal of the condensate, corrosion resistant tubing or plastic tubing should be connected to the drain nipple. Before connecting the tubing to the tee cover nipple, the trap loop must be primed by pouring a small quantity of water into the drain line. The condensate drain line can be routed to a sewer drain trap or pump. Consult the vent manufacturer's instructions for proper installation of drain line.

In transitioning from horizontal to vertical, a double wall boot tee/135° tee must be installed (not a standard tee). If the flue gas exhaust is to be routed through the sidewall, a minimum vertical rise of 6 feet is required

from the outlet of the boot tee/ 135° tee to the inlet of the elbow. In addition, for sidewall venting, it is **very important** to provide a downward pitch of at least 1/4 inch per foot of run from the termination at the wall toward the boiler for proper drainage of the condensate and for buoyancy assist of the flue gas. Furthermore, **do not** locate sidewall terminations over area of pedestrian or vehicular traffic due to potential condensate drippage and ice build-up. See Section 3.4 Clearances for more information.

When joining the double wall tubing and fittings, it is important to orient the male end of the section toward the boiler. The female end is positioned away from the boiler towards the vent terminal. Follow the vent manufacturer's instructions for proper installation.

3.3.4 Flue Gas Termination



The exhaust vent termination must be a P-K recommended device. There are four approved sidewall terminations:

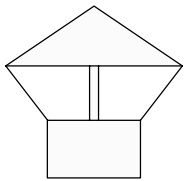
- 90° elbow pointing down, or
- Two 45° elbows pointing down, or
- 45° elbow pointing down, or
- Standard tee pointing up/down.

Important: The equivalent length of the chosen termination must be included in the calculation of the maximum allowable equivalent length. See Section 3.4.5 for equivalent lengths.

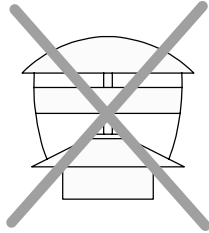


Whichever termination is chosen, it must be double wall vent certified under UL 1738, or ULC-636. When installing a sidewall exhaust system the termination must be backed by a metal plate secured to the wall as shown in the figure.

Correct rain cap, unrestricted.



Typical incorrect rain cap.



If the exhaust vent is routed through the roof, the termination must be either the same type as described for a sidewall installation or a rain cap. The preferred method to terminate the exhaust vent is with a rain cap to minimize the drippage of condensate onto the roof and ice build-up. The rain cap should be an

unrestrictive type similar to the figure above. Elbows are also acceptable.

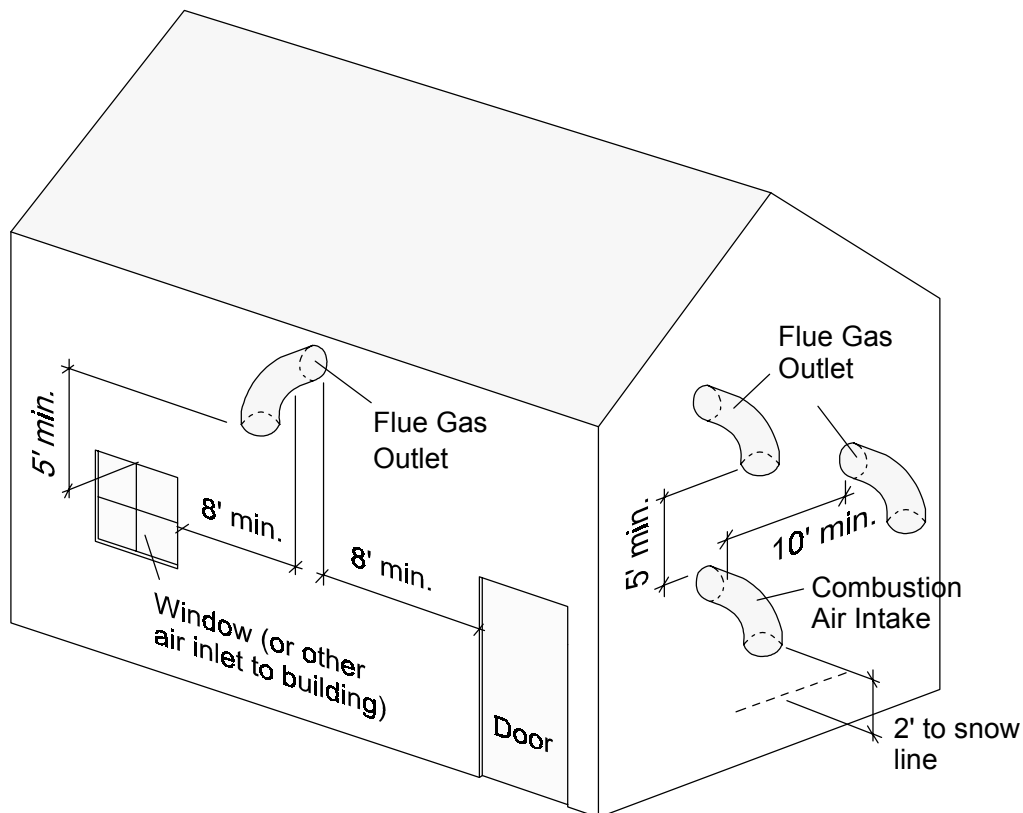
3.4.5 Equivalent Length of Fittings

Fitting Description	Equivalent Length
90° Elbow	10 feet
45° Elbow	5 feet
Rain Cap	10 feet
Boot Tee/135° Tee	10 feet
Standard Tee Used as a Vent Termination	10 feet

3.4 CLEARANCES

In addition to any clearance requirements in Sections 3.1 and 3.3 the following clearances must be maintained for inlet and vent components.

3.4.1 Sidewall Installations

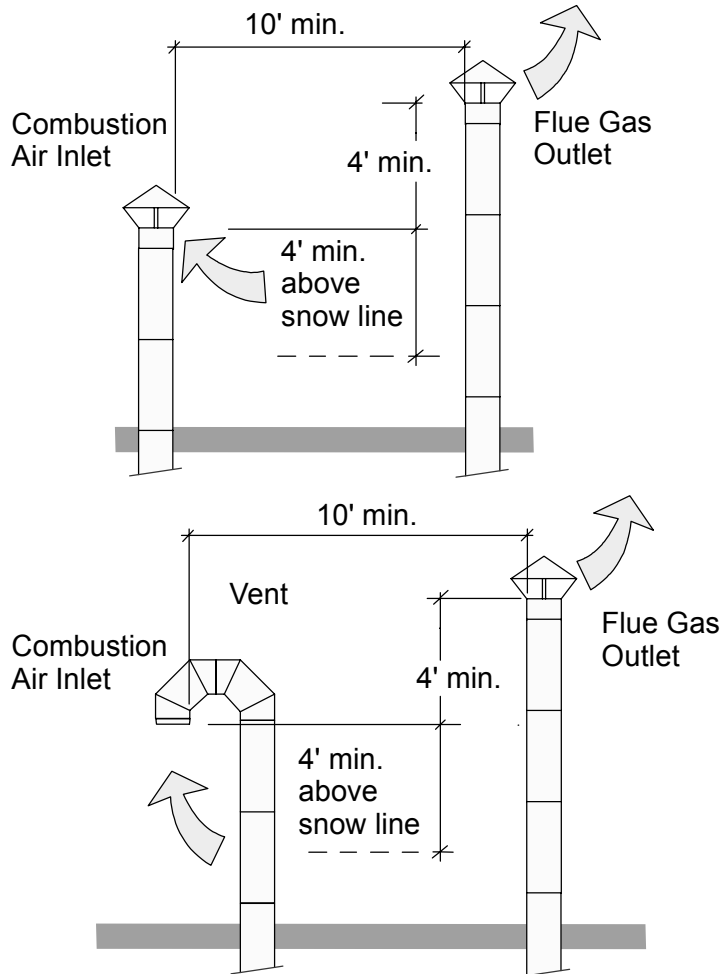


If the air inlet and/or exhaust vent terminal are through the sidewall, clearances from other exhaust/inlet, windows, doors, building openings, snow line, etc must be as shown in the figure above.

There must be either 5' vertical separation or 10' horizontal separation between the flue gas outlet and the combustion air inlet.

The bottom of the flue gas outlet must be located at least 12 inches above finish grade or snow line, but must be at least 7 feet above finish grade when located adjacent to a public walkway. It must also have a minimum clearance of 4 feet horizontally from, and in no case above or below, (unless a 4 foot horizontal distance is maintained,) electric meters, gas meters, regulators and relief equipment.

3.4.2 Rooftop Installations

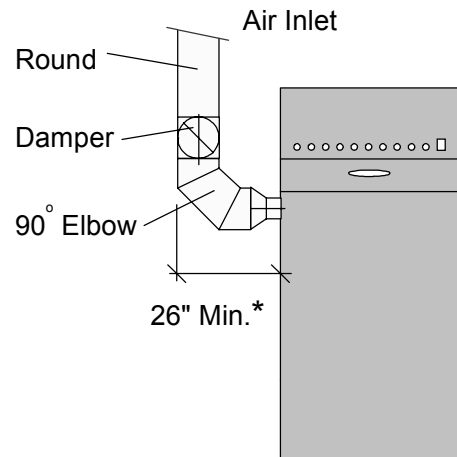


Clearances which must be maintained when both inlet and exhaust are through the roof are shown in the figures above.

3.4.3 Minimum Clearance for Boiler Connections

There are special considerations needed when installing the air inlet and exhaust duct systems because of the orientation of these connections on the boilers.

3.4.3.1 Series 700, 1000, 1200

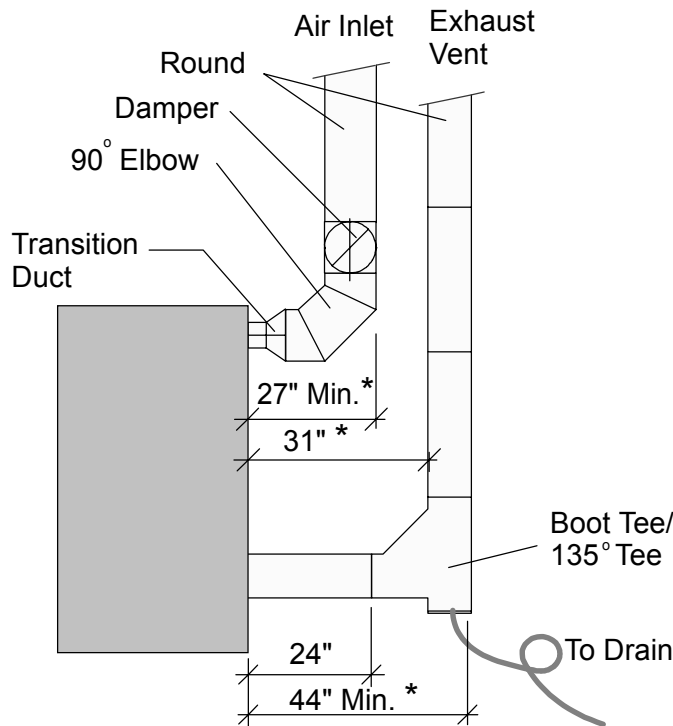


* Dimension shown above is based on 12" round ductwork.

A minimum clearance of 26 inches is required on the left side of the boiler to permit the connection of the air inlet duct to the boiler.



3.4.3.2 Series 1500, 1700, 2000



* Dimension shown above is based on 12" round ductwork.

A minimum of 44 inches is required behind the boiler to fit the inlet and exhaust connections.

The figure above suggests a duct arrangement using standard duct pieces that will maintain this minimum clearance of 44 inches.

4.0 OPERATION

4.1 SEQUENCE OF OPERATION

This sequence applies if the optional inlet damper assembly and auxiliary control panel are used. If not the standard Thermific® control sequence applies. (Replaces step #6 of the Sequence of Operation in the Installation and Owner's Manual. "TBIG.")

- The programmer first energizes Terminal 4 which supplies power to the airflow switch and initiates the adjustable 120 sec. timer on the time delay relay. Terminal 4 also supplies power through the

normally closed contacts on the time delay relay and energizes the coil on the relay in the Auxiliary Control Panel. The relay will in turn energize the damper actuator to open the damper. When the damper is in the full open position, the limit switch will close and supply power to the contactor for the blower motor.

During this time (about 20 seconds), the air switch will indicate low air flow with the "LowAir" indicator. This indicator will remain on until sufficient air flow is sensed. If the air flow switch is not closed in 120 seconds, the time delay relay will open its normally closed contacts. This will turn off the blower motor and close the inlet damper. The "Low Air" indicator will remain illuminated and the boiler will not operate.

4.2 COMBUSTION OPERATING CONDITIONS

The combustion air characteristic of the burner in this boiler is factory set at a condition of utilizing approximately 50% excess air at room temperature (70°F). Therefore, when taking combustion air from the outdoors in a direct vent system, adjustment of the combustion air damper linkage should not be made until the carbon dioxide or oxygen reading is referred to this condition.

The density of cold outdoor air will be greater than warm air taken from inside the building. Thus, the combustion air blower with outdoor air will deliver a higher air density flow to the burner.

A boiler can be subjected to varying combustion air temperatures. You must put some thought into the air/fuel adjustments to prevent hard start and/or light off rumbling problems. Due to a wide range of operating conditions, Patterson-Kelley developed a guide for different conditions.

P-K recommends that the service technician observe the combustion air temperature range. **Identify the temperature operating conditions of your boiler.** The operational range setting for O₂ is 6.0% to 8.0%. Insert your 100° F operating temperature range in the chart below. Start with the Minimum Temperature at the top of the chart; insert temperatures using 5° F increments.



When the chart is completed, set up your boiler's combustion to the corresponding information at the temperature relative during the time of the start up.

Enter your 100° F operational range.	% Oxygen	% Carbon Dioxide
	8	7.2
	7.9	7.3
	7.8	7.4
	7.7	7.4
	7.6	7.5
	7.5	7.5
	7.4	7.6
	7.3	7.6
	7.2	7.7
	7.1	7.7
	7.0	7.8
	6.9	7.8
	6.8	7.9
	6.7	8
	6.6	8
	6.5	8.1
	6.4	8.1
	6.3	8.2
	6.2	8.2
	6.1	8.3
	6	8.3

4.2.1 Combustion Air Requirement, SCFM

Series	Series	Series	Series	Series	Series
700	1000	1200	1500	1700	2000
170	251	291	364	413	501

5.0 MAINTENANCE

Maintenance procedures for the Direct Vent option are the same as for the standard Thermifit® model. Refer to the Thermifit Installation and Owner's Manual. "TBIG," latest edition.

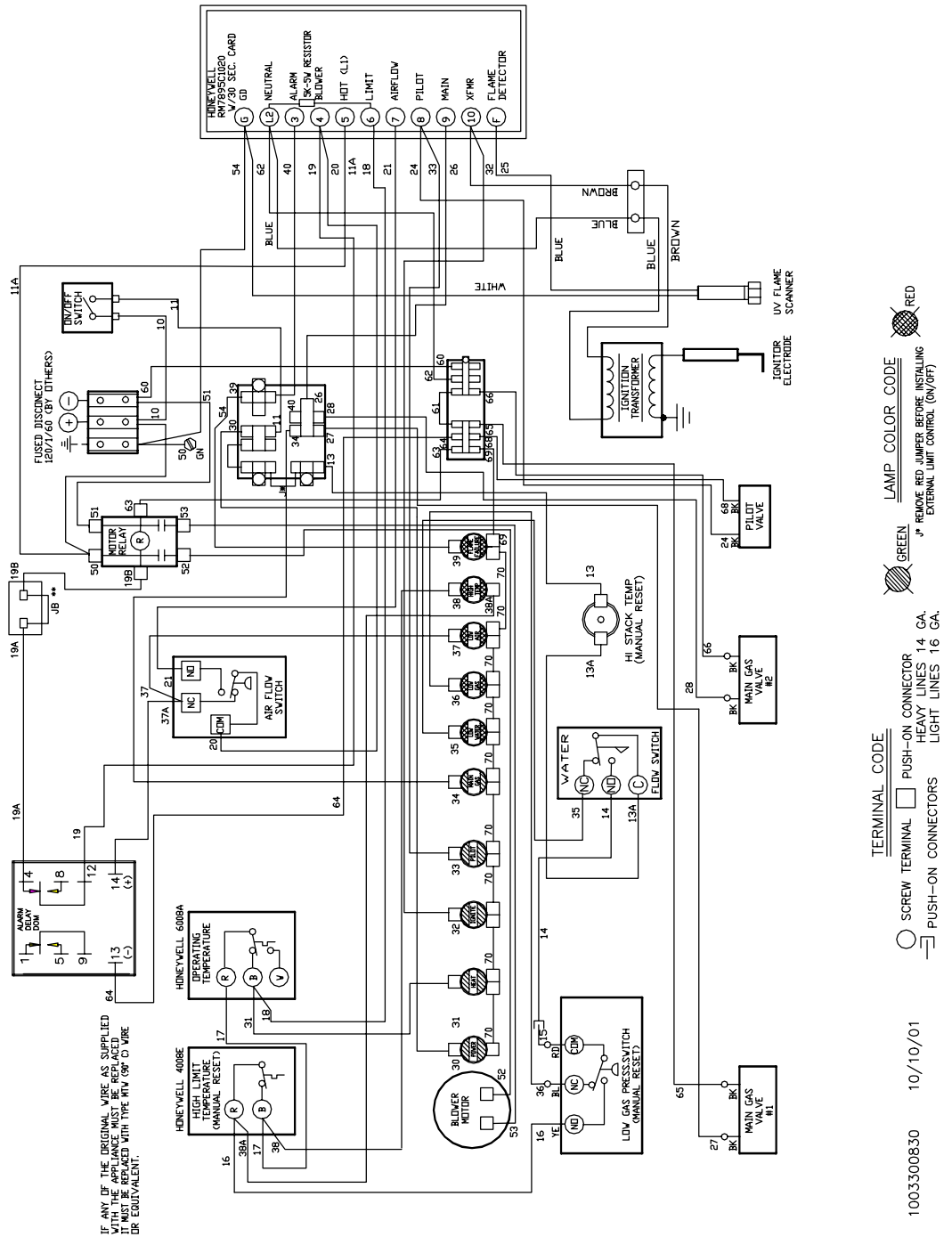
Important: measure combustion air temperature at the unit; **do not** assume the combustion air temperature is the same as the outside air temperature.



6.0 WIRING DIAGRAMS

6.1 ON-OFF SERIES 700, 1000, 1200

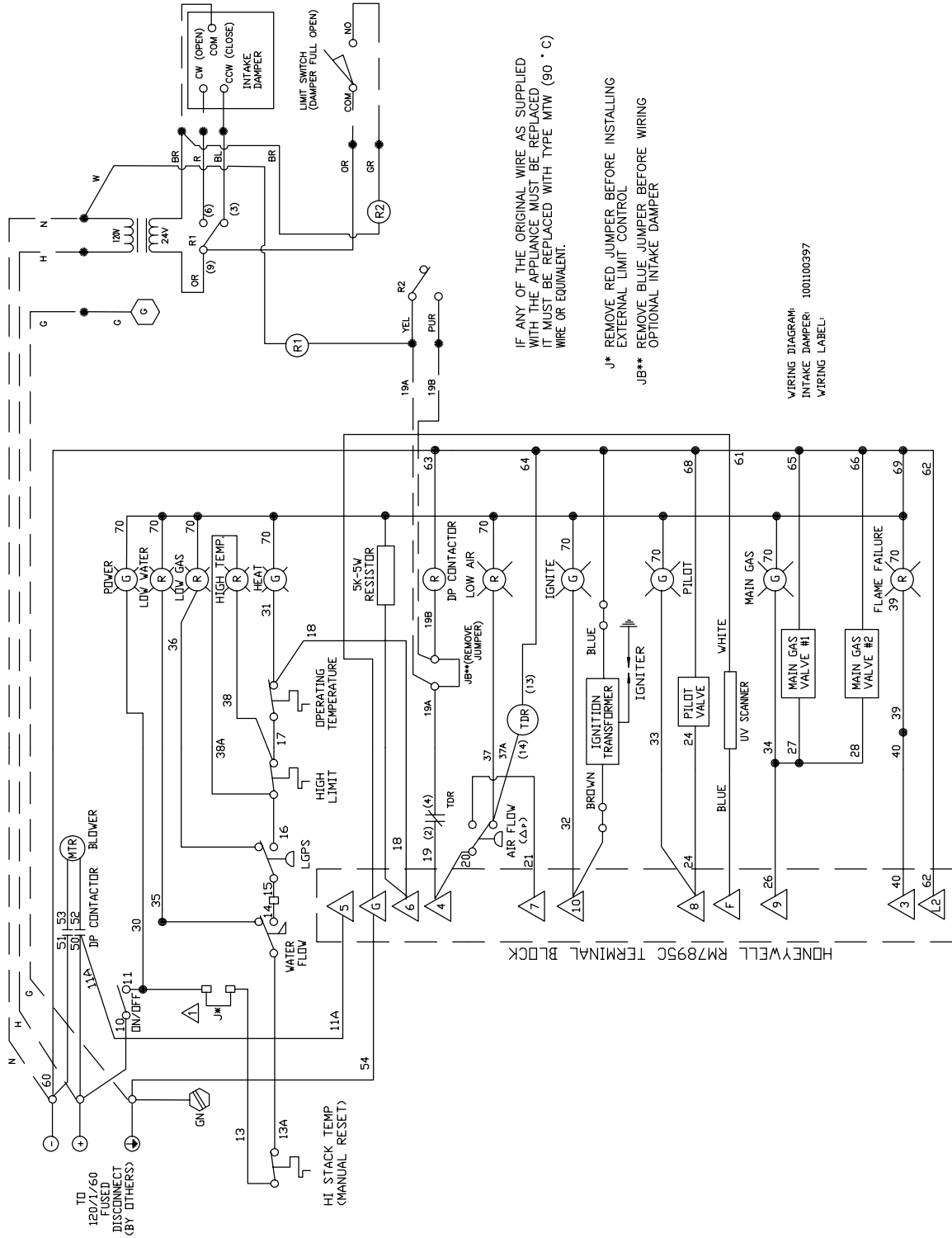
Wiring Diagram





6.1 ON-OFF SERIES 700, 1000, 1200

Logic Diagram



IF ANY OF THE ORIGINAL WIRE AS SUPPLIED WITH THE APPLIANCE MUST BE REPLACED IT MUST BE REPLACED WITH TYPE MTW (90 ° C) WIRE OR EQUIVALENT.

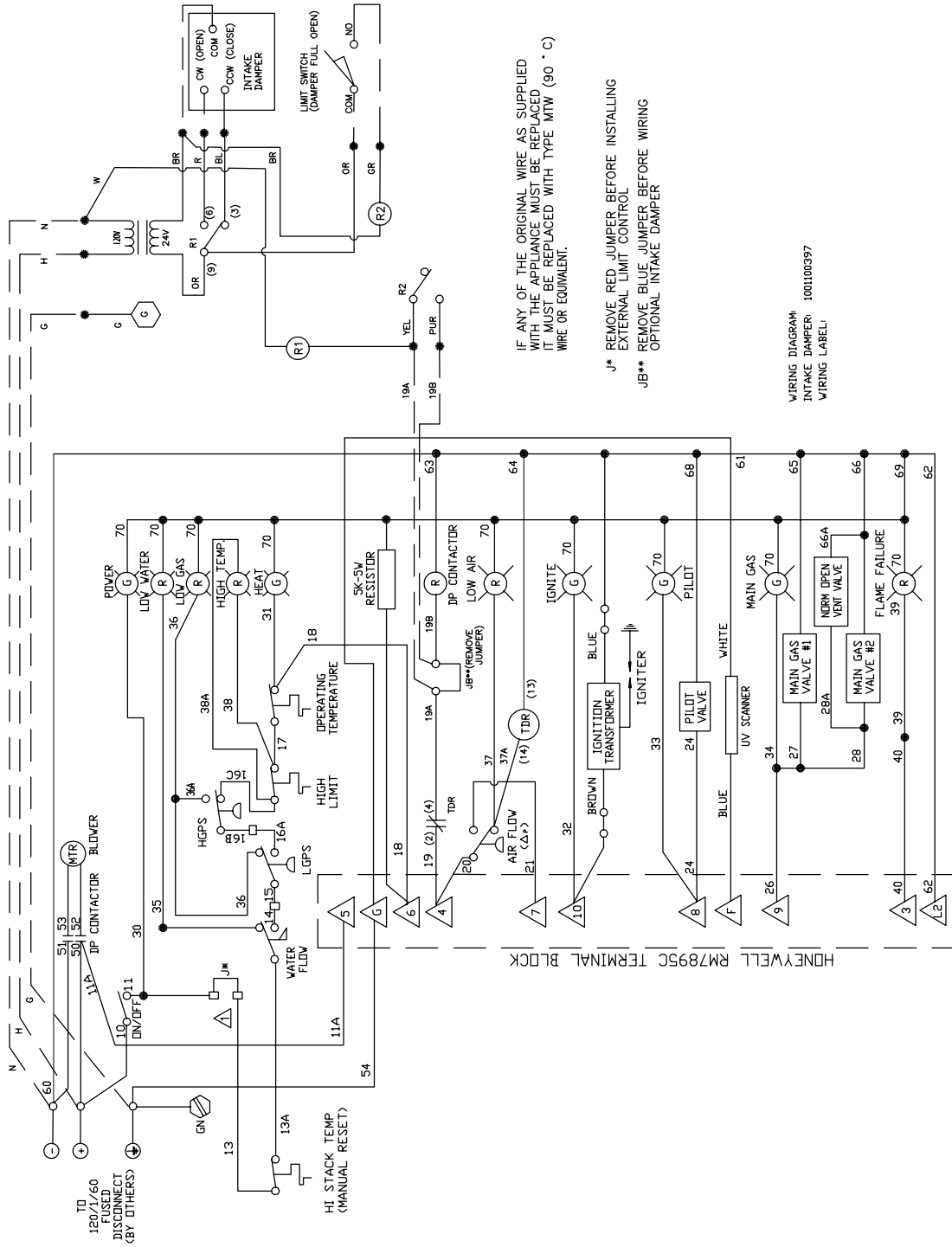
J* REMOVE RED JUMPER BEFORE INSTALLING EXTERNAL LIMIT CONTROL
 JB** REMOVE BLUE JUMPER BEFORE WIRING OPTIONAL INTAKE DAMPER

WIRING DIAGRAM
 INTAKE DAMPER: 1001100397
 WIRING LABEL:



6.1A ON-OFF IRI SERIES 700, 1000, 1200

Logic Diagram



IF ANY OF THE ORIGINAL WIRE AS SUPPLIED WITH THE APPLIANCE MUST BE REPLACED IT MUST BE REPLACED WITH TYPE MTW (90 ° C) WIRE OR EQUIVALENT.

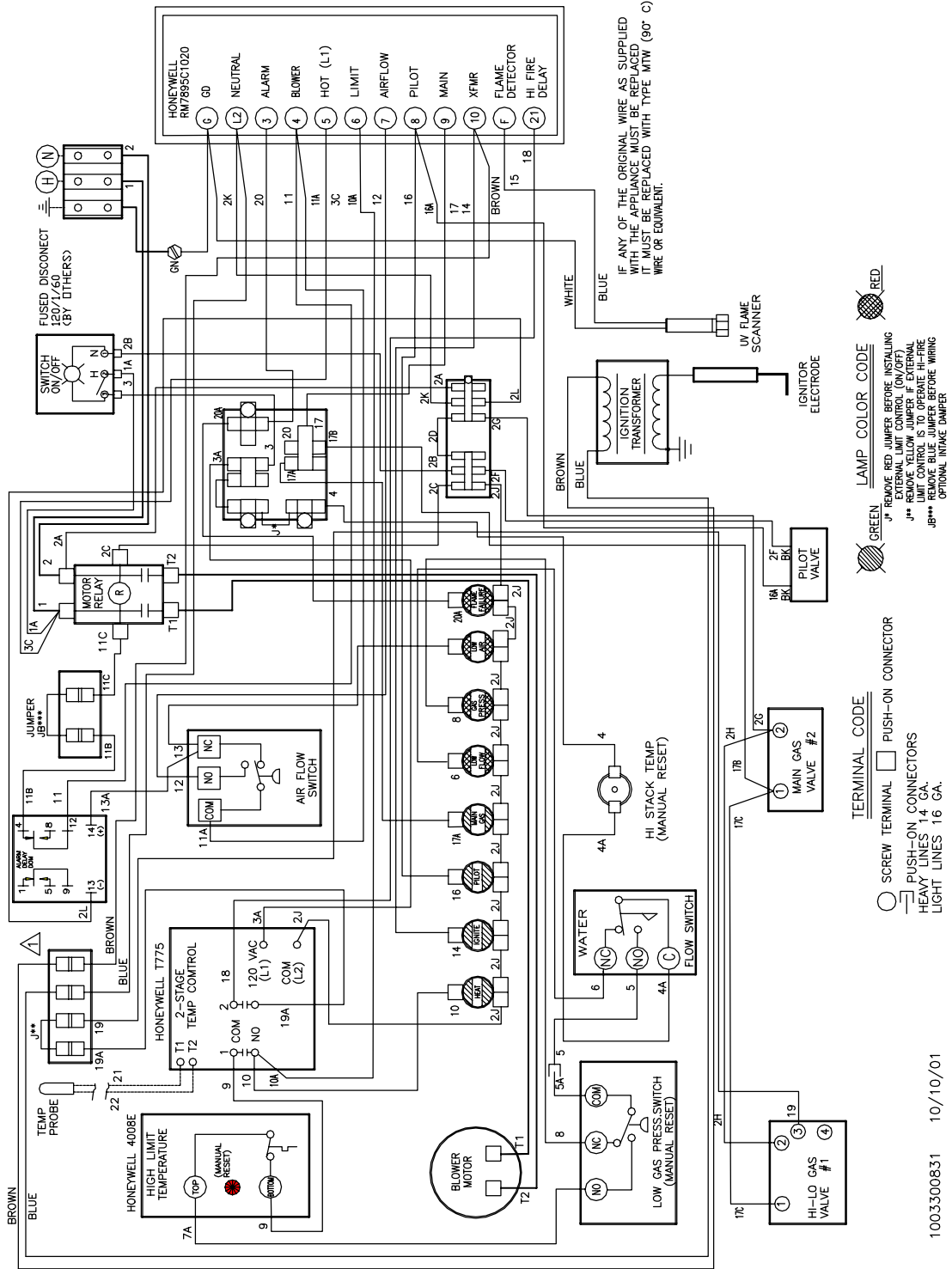
J* REMOVE RED JUMPER BEFORE INSTALLING EXTERNAL LIMIT CONTROL
 JB** REMOVE BLUE JUMPER BEFORE WIRING OPTIONAL INTAKE DAMPER

WIRING DIAGRAM 100100397
 INTAKE DAMPER: WIRING LABEL



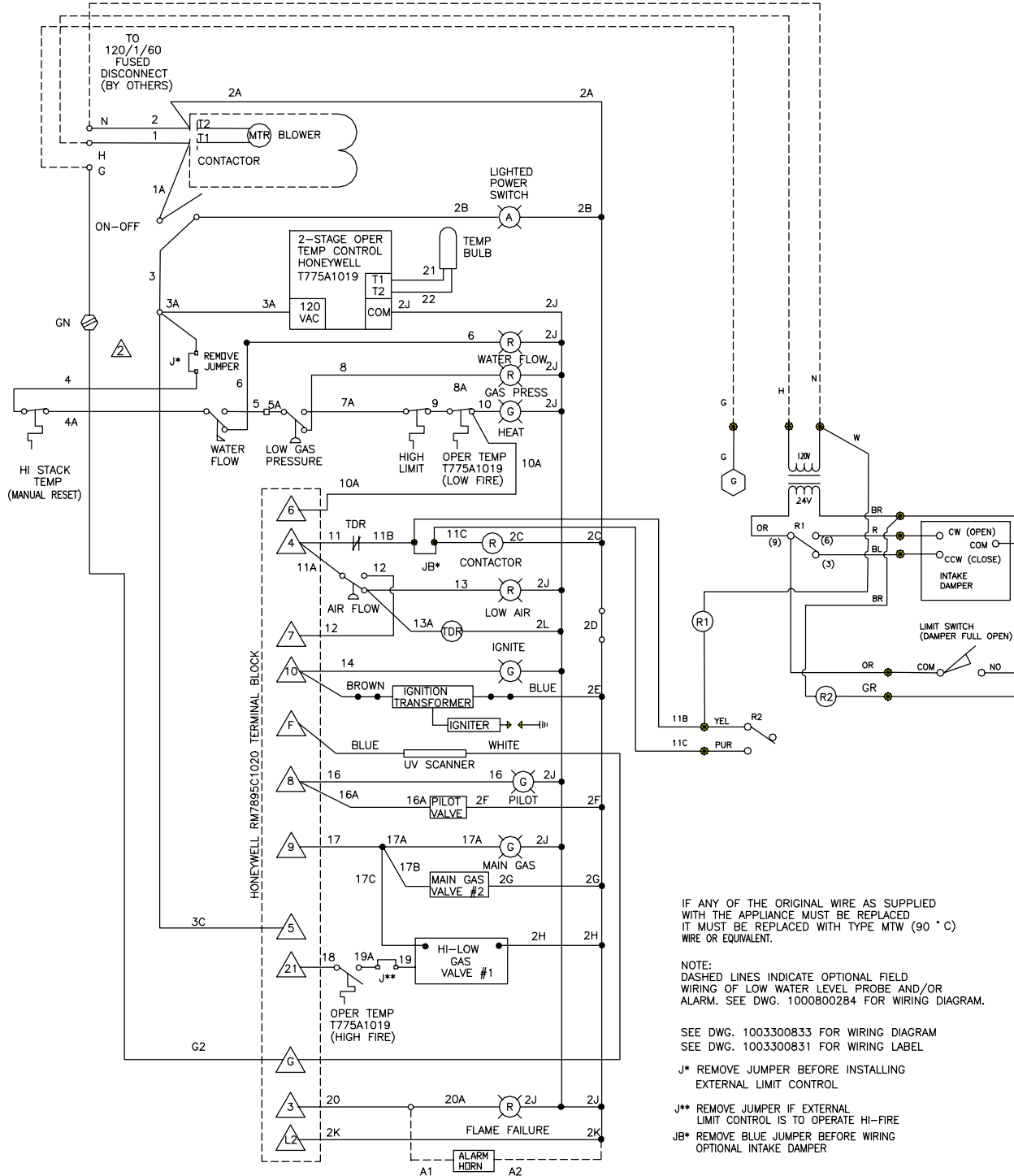
6.1B Lo-Hi Lo

Wiring Diagram



6.1B LO-HI LO

Logic Diagram



IF ANY OF THE ORIGINAL WIRE AS SUPPLIED WITH THE APPLIANCE MUST BE REPLACED IT MUST BE REPLACED WITH TYPE MTW (90 ° C) WIRE OR EQUIVALENT.

NOTE:
 DASHED LINES INDICATE OPTIONAL FIELD WIRING OF LOW WATER LEVEL PROBE AND/OR ALARM. SEE DWG. 1000800284 FOR WIRING DIAGRAM.

SEE DWG. 1003300833 FOR WIRING DIAGRAM
 SEE DWG. 1003300831 FOR WIRING LABEL

J* REMOVE JUMPER BEFORE INSTALLING EXTERNAL LIMIT CONTROL

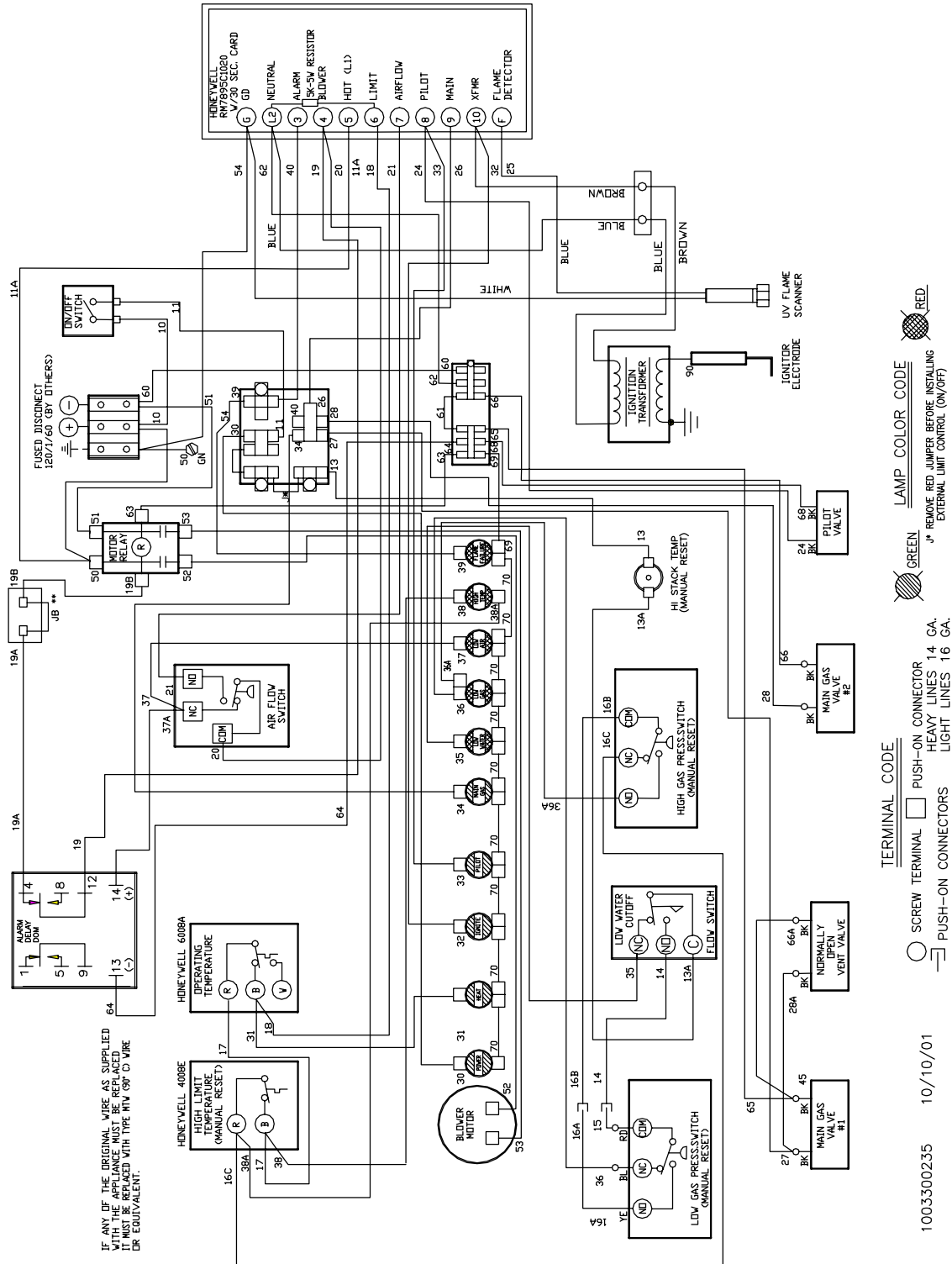
J** REMOVE JUMPER IF EXTERNAL LIMIT CONTROL IS TO OPERATE HI-FIRE

JB* REMOVE BLUE JUMPER BEFORE WIRING OPTIONAL INTAKE DAMPER



6.1c Lo-Hi-Lo IRI

Wiring Diagram



TERMINAL CODE

SCREW TERMINAL PUSH-ON CONNECTOR

PUSH-ON CONNECTORS LIGHT LINES 16 GA.

HEAVY LINES 14 GA.

LAMP COLOR CODE

GREEN

RED

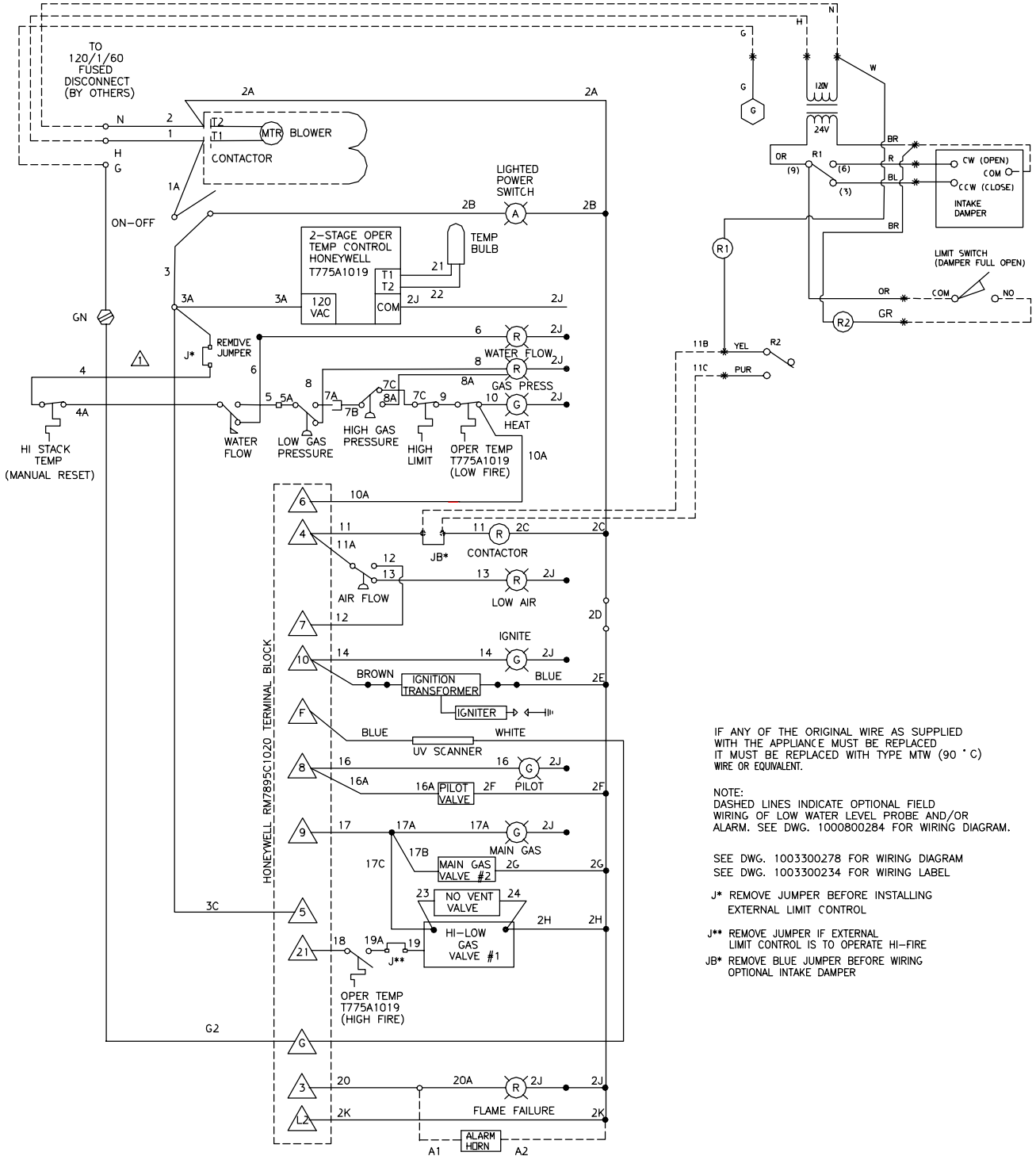
* REMOVE RED JUMPER BEFORE INSTALLING EXTERNAL LIMIT CONTROL (ON/OFF)

1003300235 10/10/01



6.1c Lo-Hi-Lo IRI

Logic Diagram



IF ANY OF THE ORIGINAL WIRE AS SUPPLIED WITH THE APPLIANCE MUST BE REPLACED IT MUST BE REPLACED WITH TYPE MTW (90 ° C) WIRE OR EQUIVALENT.

NOTE:
DASHED LINES INDICATE OPTIONAL FIELD WIRING OF LOW WATER LEVEL PROBE AND/OR ALARM. SEE DWG. 1000800264 FOR WIRING DIAGRAM.

SEE DWG. 1003300278 FOR WIRING DIAGRAM
SEE DWG. 1003300234 FOR WIRING LABEL

J* REMOVE JUMPER BEFORE INSTALLING EXTERNAL LIMIT CONTROL

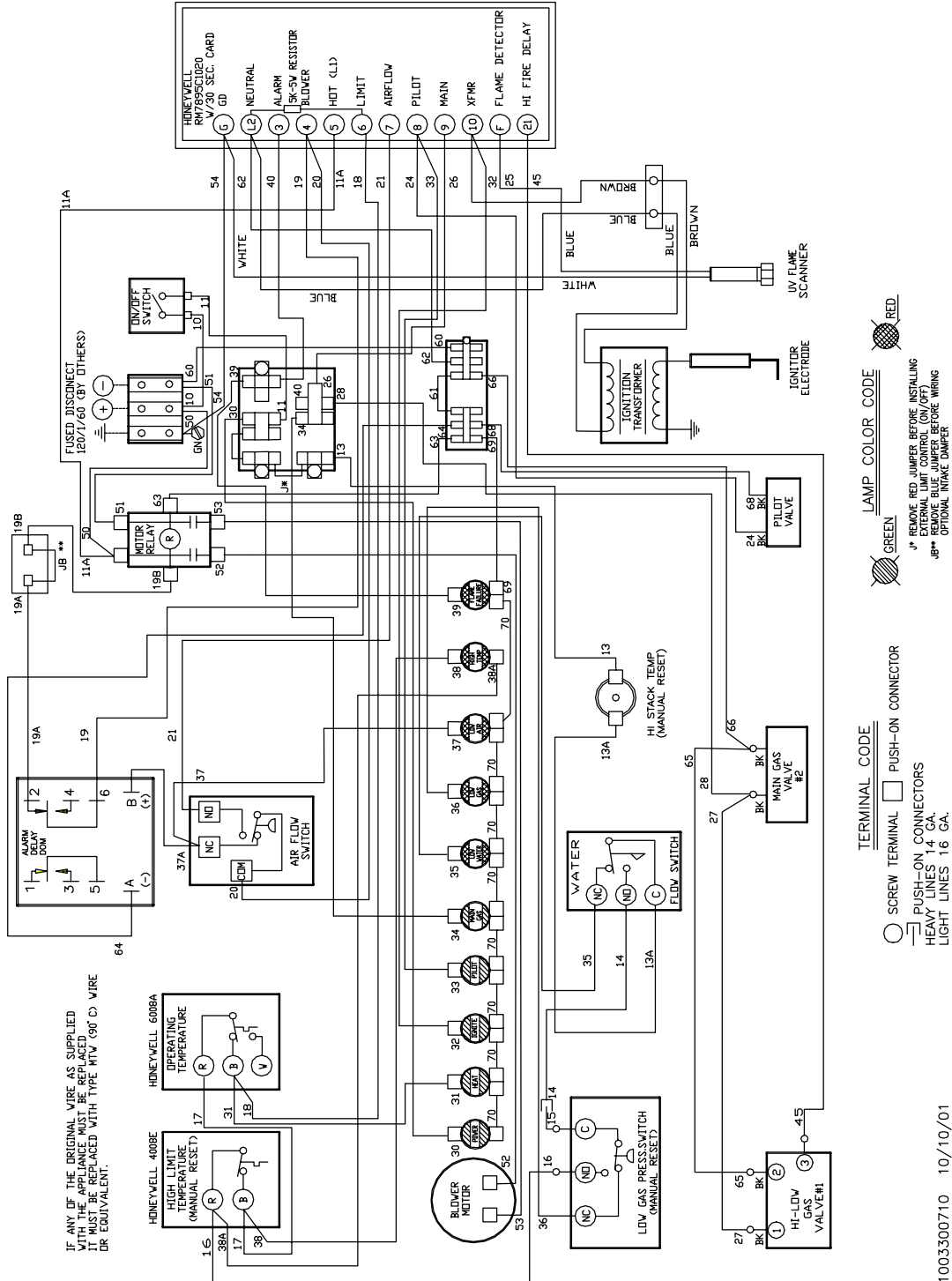
J** REMOVE JUMPER IF EXTERNAL LIMIT CONTROL IS TO OPERATE HI-FIRE

JB* REMOVE BLUE JUMPER BEFORE WIRING OPTIONAL INTAKE DAMPER



6.1D ON-OFF SERIES 1500, 1700, 2000

Wiring Diagram

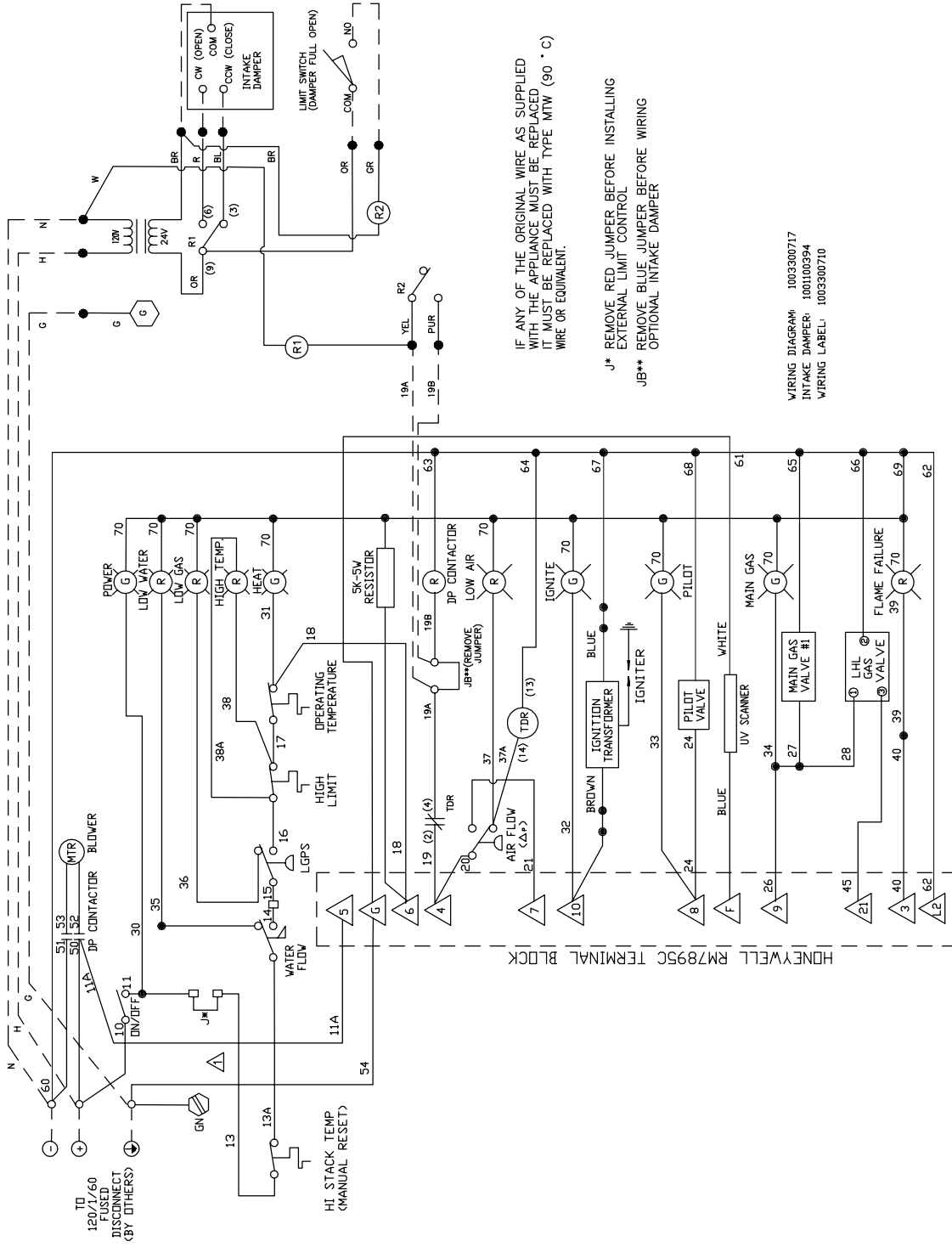


1003300710 10/10/01



6.1D ON-OFF SERIES 1500, 1700, 2000

Logic Diagram



IF ANY OF THE ORIGINAL WIRE AS SUPPLIED WITH THE APPLIANCE MUST BE REPLACED IT MUST BE REPLACED WITH TYPE MTW (90 ° C) WIRE OR EQUIVALENT.

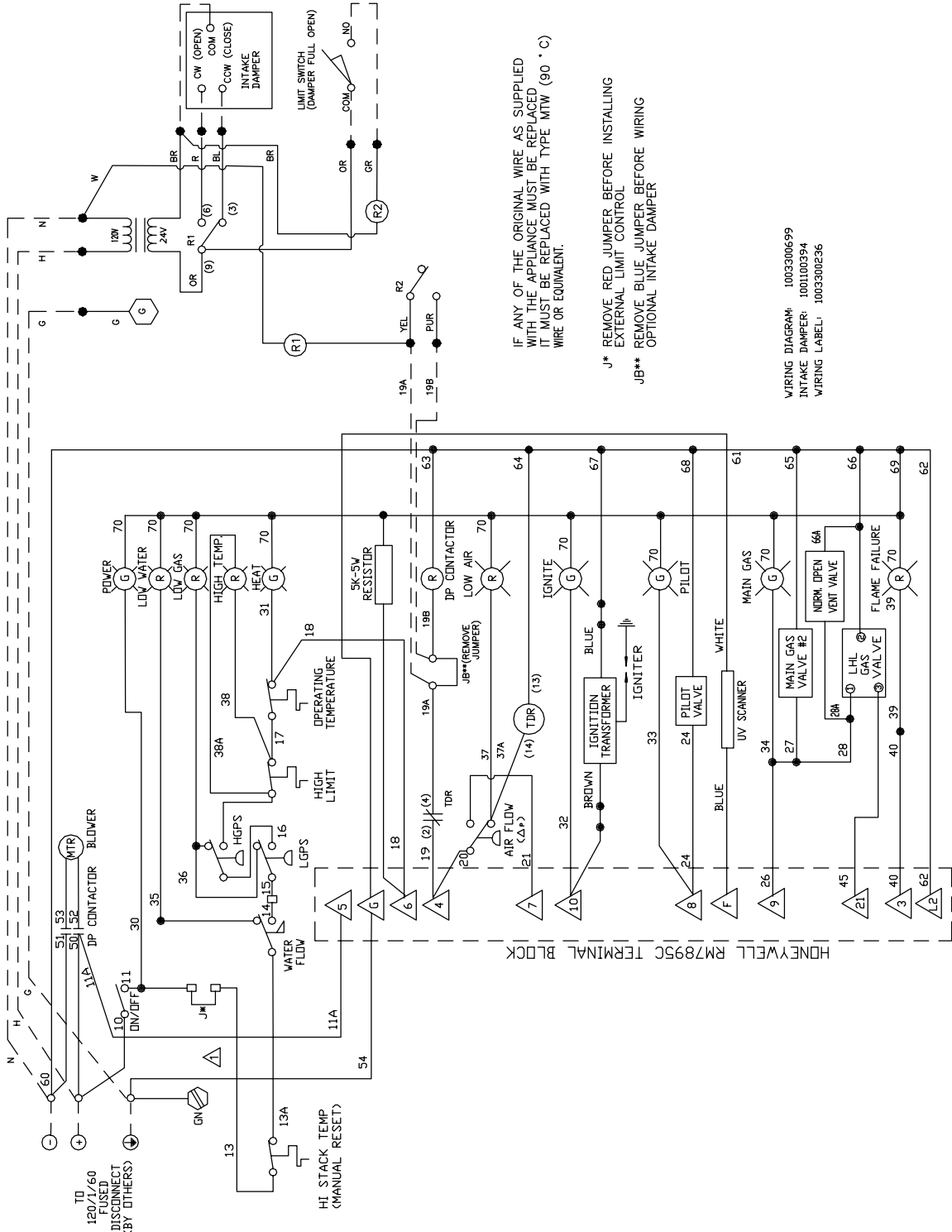
- J* REMOVE RED JUMPER BEFORE INSTALLING EXTERNAL LIMIT CONTROL
- JB** REMOVE BLUE JUMPER BEFORE WIRING OPTIONAL INTAKE DAMPER

WIRING DIAGRAM: 1003300717
 INTAKE DAMPER: 1001100394
 WIRING LABEL: 1003300710



6.1E ON-OFF IRI SERIES 1500, 1700, 2000

Logic Diagram



IF ANY OF THE ORIGINAL WIRE AS SUPPLIED WITH THE APPLIANCE MUST BE REPLACED IT MUST BE REPLACED WITH TYPE MTW (90 ° C) WIRE OR EQUIVALENT.

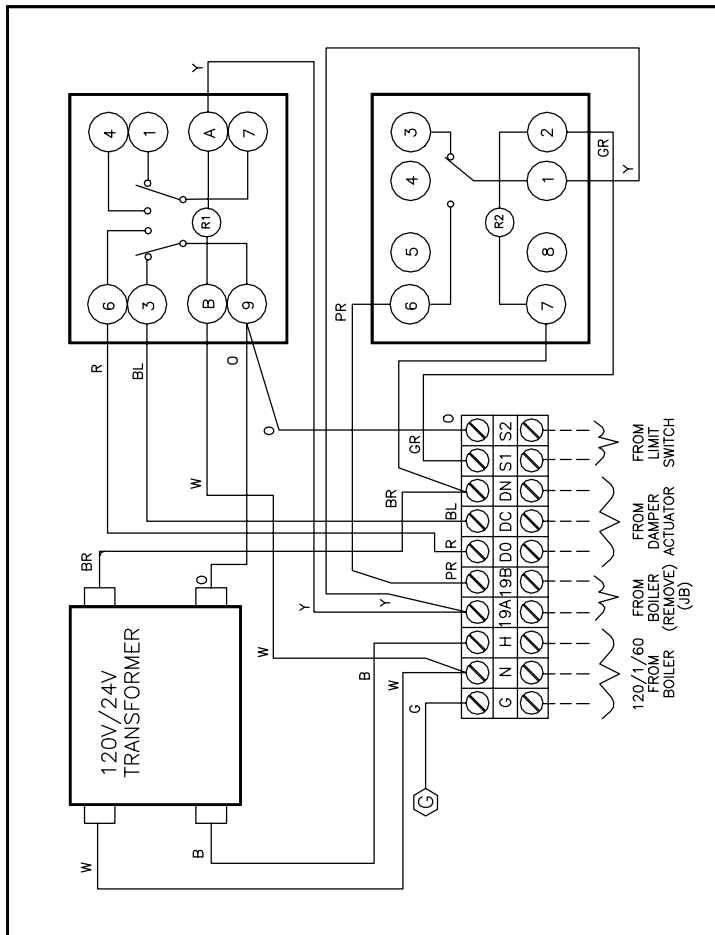
- J* REMOVE RED JUMPER BEFORE INSTALLING EXTERNAL LIMIT CONTROL
- REMOVE BLUE JUMPER BEFORE WIRING OPTIONAL INTAKE DAMPER

WIRING DIAGRAM 1003300699
 INTAKE DAMPER 1001100394
 WIRING LABEL 1003300236



6.2 AUXILIARY CONTROL PANEL

6.2.1 On-Off Auxiliary Control Panel



- NOTES:
- 1) SEE DWG. 1001100390 OR 1001100391 (ON/OFF); 1002100084/1002100085(LFS) OR 1002000483/1002000484 (LHL) FOR LOGIC DIAGRAM.
 - 2) REMOVE BLUE JUMPER (JB) ON BOILER BEFORE CONNECTING WIRES TO B1 & B2.
 - 3) THE 120V/60 POWER SOURCE MUST BE FROM THE SAME BOILER WHERE WIRES B1 & B2 ARE FROM.
 - 4) USE 16 GA MTW WIRE FOR ALL FIELD WIRING.

1001100397 1/6/01

